

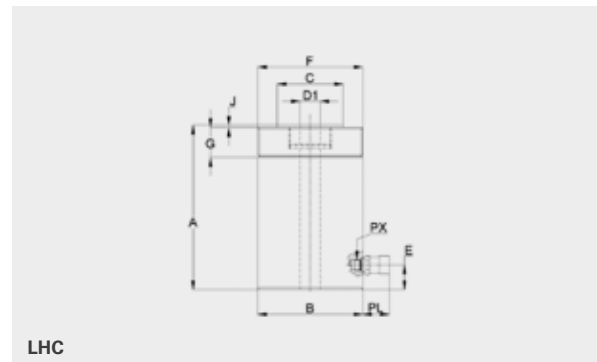
STEEL HOLLOW PISTON CYLINDERS

SINGLE-ACTION – WITH SPRING RETRACTION



▶ ADVANTAGES

- Standard external thread for easy assembly
- Standard fastening holes in the cylinder base
- As standard with internationally common screw coupling
- Exceptional lateral load compatibility
- Fully loadable stroke limitation
- Wiper rings reduce contamination and wear
- Optionally with LUKAS plug-in coupling for integration into an existing 500 bar system
- Single-action design for one working direction
- Particularly robust and solid, suitable for demanding applications
- Can also be used for lifting work
- Corrosion protection due to enamelled surfaces
- Hard chrome-plated pistons for protection against scoring and corrosion

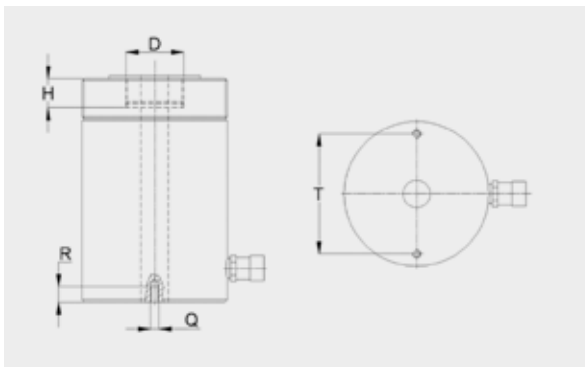


700 BAR

Type	Order No.	Lifting force (kN)	Stroke (mm)	Piston area (cm ²)	Effective oil requirements (l)	A (mm)	B (Ø mm)	C (Ø mm)	D1	E (mm)	F	G (mm)	J (mm)	PX	PL (mm)	Mass (kg)
LHC 12/40 PN 700	84148400101	123	40	17,6	0,07	124	75	40	20,5	19	2 3/4"-16	30	2,5	3/8-18 NPT	72	4
LHC 12/75 PN 700	84148400102	123	76	17,6	0,13	176	75	40	20,5	19	2 3/4"-16	30	2,5	3/8-18 NPT	72	5
LHC 12/150 PN 700	84148400103	123	150	17,6	0,26	300	75	40	20,5	19	2 3/4"-16	30	2,5	3/8-18 NPT	72	8,5
LHC 22/50 PN 700	84148400201	221	50	31,6	0,16	165	105	56	27	23,5	3 7/8"-12	38	2,5	3/8-18 NPT	72	9,5
LHC 22/150 PN 700	84148400202	221	150	31,6	0,47	318	105	56	27	23,5	3 7/8"-12	38	2,5	3/8-18 NPT	72	16,4
LHC 30/60 PN 700	84148400303	308	64	44	0,28	197	120	68	33,4	27	4 1/2"-12	42	4	3/8-18 NPT	72	13,2
LHC 30/150 PN 700	84148400302	308	150	44	0,66	322	120	68	33,4	27	4 1/2"-12	42	4	3/8-18 NPT	72	18,5
LHC 60/75 PN 700	84148400401	589	76	84,2	0,64	223	165	95	54	31	6 1/4"-12	48	4	3/8-18 NPT	72	29
LHC 60/150 PN 700	84148400402	589	153	84,2	1,29	315	165	95	54	31	6 1/4"-12	48	4	3/8-18 NPT	72	38
LHC 100/80 PN 700	84148400501	1037	80	148,5	1,19	282	213	130	80	37	8 3/8"-12	60	5	3/8-18 NPT	72	58



FASTENING HOLE AS STANDARD



Type	D	H (mm)	Q	R (mm)	T (mm)
LHC 12	M 28x1,5	18	5/16"-18	12	51
LHC 22	1 9/16"-16	20	3/8"-16	15	83
LHC 30	1 13/16"-16	22	3/8"-16	17	92
LHC 60	2 3/4"-16	22	1/2"-13	14	130
LHC 100	4"-16	25	5/8"-11	19	178