

# SINGLE-ACTION

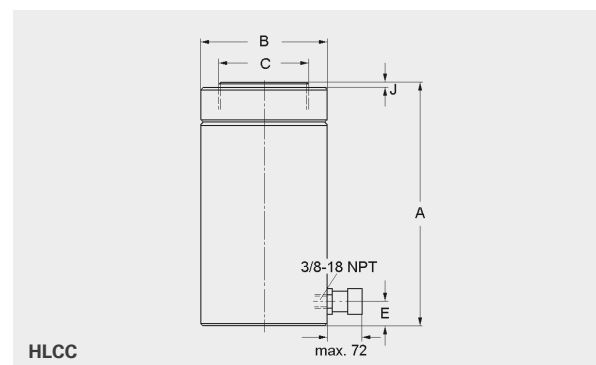
# HEAVY-DUTY CYLINDERS

WITH LOCKING NUT AND LOAD RETRACTION



## ▶ ADVANTAGES

- Capacity from 30 to 1000 metric tonnes, stroke up to 300 mm
- Longer mechanical holding of the load possible due to adjusting ring
- Adjusting ring tested under 50% overload
- Spray hole for stroke limitation, without stop ring, warning in the form of a red stripe
- Body, adjusting ring and pressure piece black nitrided to ensure high corrosion protection and improved wear properties
- Use HFCL models in confined spatial conditions



## 700 BAR

Type	Order No.	Lifting force (kN)	Stroke (mm)	Piston area (cm <sup>2</sup> )	Effective oil requirements (l)	A (mm)	A (mm) with APTS	B (mm)	C	E	J	PX	PL	Mass (kg)
HLCC 30/50 PN 700	60-51-01	303	50	44,2	0,221	141	155	100	Tr 75x4	20	3	3/8-18 NPT	72	9
HLCC 30/100 PN 700	60-51-02	303	100	44,2	0,442	191	205	100	Tr 75x4	20	3	3/8-18 NPT	72	12
HLCC 30/200 PN 700	60-51-03	303	200	44,2	0,884	296	310	100	Tr 75x4	20	3	3/8-18 NPT	72	18
HLCC 30/300 PN 700	60-51-04	303	300	44,2	1,325	405	419	100	Tr 75x4	20	3	3/8-18 NPT	72	25
HLCC 50/50 PN 700	60-51-10	496	50	70,9	0,354	153	167	125	Tr 95x4	25	3	3/8-18 NPT	72	14
HLCC 50/100 PN 700	60-51-11	496	100	70,9	0,709	203	217	125	Tr 95x4	25	3	3/8-18 NPT	72	19
HLCC 50/200 PN 700	60-51-12	496	200	70,9	1,418	311	325	125	Tr 95x4	25	3	3/8-18 NPT	72	30
HLCC 50/300 PN 700	60-51-13	496	300	70,9	2,126	416	430	125	Tr 95x4	25	3	3/8-18 NPT	72	40
HLCC 100/50 PN 700	60-51-20	929	50	132,7	0,664	180	190	170	Tr 130x6	30	3	3/8-18 NPT	72	31
HLCC 100/100 PN 700	60-51-21	929	100	132,7	1,327	230	240	170	Tr 130x6	30	3	3/8-18 NPT	72	40
HLCC 100/200 PN 700	60-51-22	929	200	132,7	2,655	335	345	170	Tr 130x6	30	3	3/8-18 NPT	72	59
HLCC 100/300 PN 700	60-51-23	929	300	132,7	3,982	441	451	170	Tr 130x6	30	3	3/8-18 NPT	72	78
HLCC 140/50 PN 700	60-51-30	1407	50	201,1	1,005	195	214	210	Tr 160x6	40	3	3/8-18 NPT	72	52
HLCC 140/100 PN 700	60-51-31	1407	100	201,1	2,011	245	264	210	Tr 160x6	40	3	3/8-18 NPT	72	65
HLCC 140/200 PN 700	60-51-32	1407	200	201,1	4,021	359	378	210	Tr 160x6	40	3	3/8-18 NPT	72	96
HLCC 140/300 PN 700	60-51-33	1407	300	201,1	6,032	465	484	210	Tr 160x6	40	3	3/8-18 NPT	72	125
HLCC 220/150 PN 700	60-51-40	2192	150	314,2	4,712	328	346	260	Tr 200x6	50	3	3/8-18 NPT	72	134
HLCC 220/300 PN 700	60-51-41	2192	300	314,2	9,425	488	506	260	Tr 200x6	50	3	3/8-18 NPT	72	201
HLCC 300/150 PN 700	60-51-45	3037	150	433,7	6,506	351	390	305	Tr 235x6	55	5	3/8-18 NPT	72	197
HLCC 300/300 PN 700	60-51-46	3037	300	433,7	13,012	511	550	305	Tr 235x6	55	5	3/8-18 NPT	72	289
HLCC 400/150 PN 700	60-51-50	4008	150	572,6	8,588	370	418	350	Tr 270x6	65	5	3/8-18 NPT	72	274
HLCC 400/300 PN 700	60-51-51	4008	300	572,6	17,177	530	578	350	Tr 270x6	65	5	3/8-18 NPT	72	395
HLCC 500/150 PN 700	60-51-56	5114	150	730,6	10,959	395	442	400	Tr 305x6	75	5	3/8-18 NPT	72	378
HLCC 500/300 PN 700	60-51-57	5114	300	730,6	21,918	555	602	400	Tr 305x6	75	5	3/8-18 NPT	72	535
HLCC 600/50 PN 700	60-51-60	5987	50	855,3	4,276	311	363	430	Tr 330x6	80	5	3/8-18 NPT	72	347
HLCC 600/150 PN 700	60-51-61	5987	150	855,3	12,829	421	473	430	Tr 330x6	80	5	3/8-18 NPT	72	472
HLCC 600/300 PN 700	60-51-62	5987	300	855,3	25,659	581	633	430	Tr 330x6	80	5	3/8-18 NPT	72	654
HLCC 800/50 PN 700	60-51-70	8149	50	1164,20	5,821	348	405	505	Tr 385x6	95	5	3/8-18 NPT	72	537
HLCC 800/150 PN 700	60-51-71	8149	150	1164,20	17,462	458	515	505	Tr 385x6	95	5	3/8-18 NPT	72	709
HLCC 800/300 PN 700	60-51-72	8149	300	1164,20	34,925	618	675	505	Tr 385x6	95	5	3/8-18 NPT	72	959
HLCC 1000/50 PN 700	60-51-80	10644	50	1520,50	7,603	392	468	570	Tr 440x6	105	5	3/8-18 NPT	72	772
HLCC 1000/150 PN 700	60-51-81	10644	150	1520,50	22,808	502	578	570	Tr 440x6	105	5	3/8-18 NPT	72	991
HLCC 1000/300 PN 700	60-51-82	10644	300	1520,50	45,616	673	749	570	Tr 440x6	105	5	3/8-18 NPT	72	1332