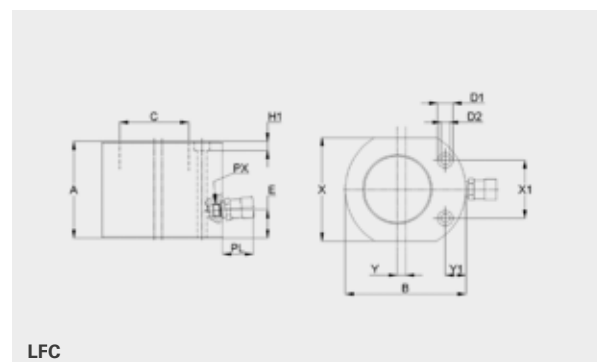
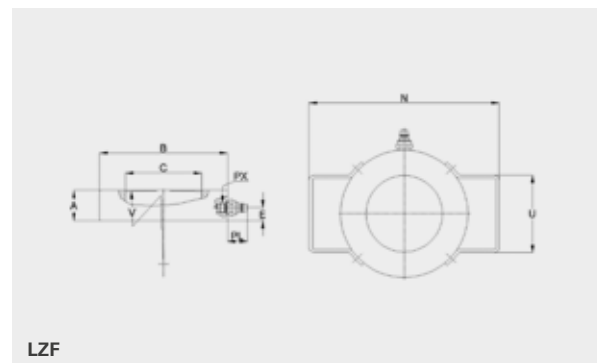


# FLAT CYLINDERS



## ▶ ADVANTAGES

- 500 bar variants with quick-connect coupling to which the safe quick stop system can be connected
- 700 bar range with international screw couplings
- Fastening holes standard with 700 bar cylinders
- Fully loadable stroke limitation
- Extremely flat height from 37 mm
- Particularly low space requirement
- Made of tempered special steel
- Partially equipped with carrying handles
- Variants in 500 and 700 bar range
- 500 bar variants without spring retraction, 700 bar variants with spring retraction



## 500 BAR

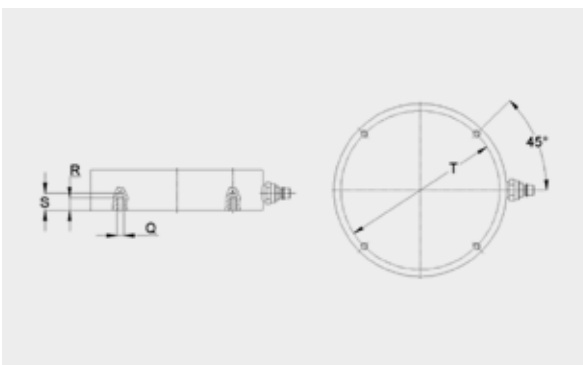
Type	Order No.	Lifting force (kN)	Stroke (mm)	Piston area (cm <sup>2</sup> )	Effective oil requirements (l)	A (mm)	B (∅ mm)	C (∅ mm)	E (mm)	N (mm)	U (mm)	V (mm)	PX	PL (mm)	Mass (kg)
LZF 25/10	841412901	251	10	50,3	0,05	37	130	70	15,5	-	-	600	G 1/4	-	3,7
LZF 63/10	841413701	613	10	122,7	0,12	46	188	115	21	-	-	1500	G 1/4	-	9,8
LZF 100/16	841414103	1005	16	201,1	0,32	59	250	150	25	372	152	1800	M 18x1,5	44	22,5

## 700 BAR

Type	Order No.	Lifting force (kN)	Stroke (mm)	Piston area (cm <sup>2</sup> )	Effective oil requirements (l)	A (mm)	B (∅ mm)	C (∅ mm)	D1 (∅ mm)	D2 (∅ mm)	E (mm)	H1 (mm)	X (mm)	X1 (mm)	Y (mm)	Y1 (mm)	PX	PL (mm)	Mass (kg)
LFC 5/16 PN 700	84148500302	43	16	6,4	0,01	42,5	60	25	9,5	5,5	16	6	41	28	9	19	3/8-18 NPT	72	1,2
LFC 10/11 PN 700	84148500303	99	11	14,5	0,01	43	83	38	11	6,5	20	7	56	37	12,5	21	3/8-18 NPT	72	1,6
LFC 23/11 PN 700	84148500304	227	11	33,2	0,03	52	102	57	14	9	20	9	80	50	10	22	3/8-18 NPT	72	2,8
LFC 50/16 PN 700	84148500306	486	16	70,9	0,11	68	140	78	19	13	21	13	114	87	12	26	3/8-18 NPT	72	6,6
LFC 150/16 PN 700	84148500310	1450	16	211,3	0,33	100	216	134	14	9	25	15	194	117	-	35	3/8-18 NPT	72	25



### OPTIONAL FASTENING HOLE



Type	Q	R (mm)	S (mm)	T (mm)
LZF 25/10	M 6	10	14,5	118
LZF 63/10	M 8	13	18	170
LZF 100/10	M 10	15	20,5	230

The LZF25/10 and LZF63/10 cylinders are supplied with 0.5 hose and plug-in coupling nipple STNI 61.