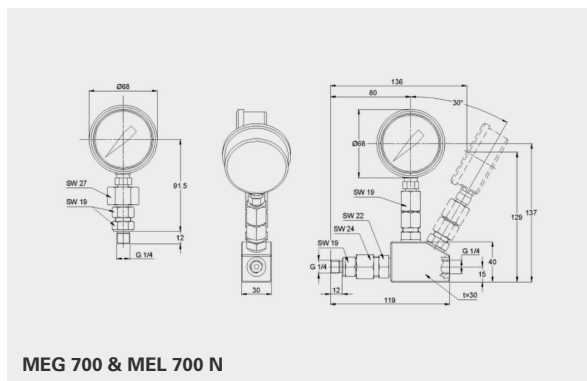


MANOMETER UNITS

MEL 700 N & MEG 700



Type	Order No.	Max operating pressure (bar)	Mass (kg)
MEL 700 N	841120109	700	1
MEG 700	841120105	700	0,6



MANOMETER UNITS

MA2 & MA3



Type	Order No.	Max operating pressure (bar)	Mass (kg)
MA3	841265232	700	0,8
MA2	841265231	700	0,15

