

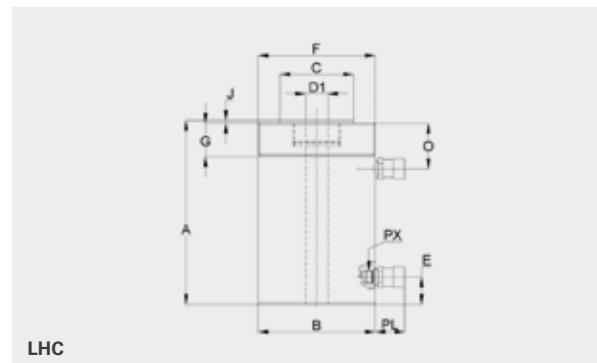
STEEL HOLLOW PISTON CYLINDERS

DOUBLE ACTION - WITH HYDRAULIC PISTON RETRACTION



▶ ADVANTAGES

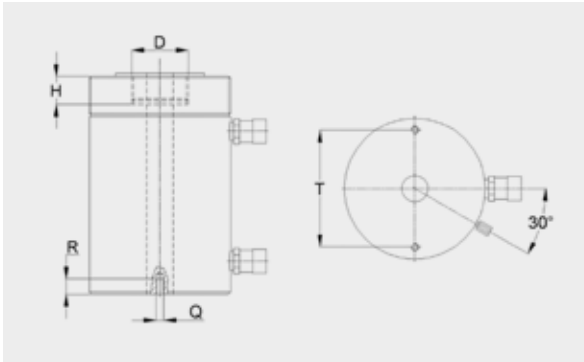
- Standard external thread for easy assembly
- Standard fastening holes in the cylinder base
- As standard with internationally common screw coupling
- Exceptional lateral load compatibility
- Fully loadable stroke limitation
- Wiper rings reduce contamination and wear
- Optionally with LUKAS plug-in coupling for integration into an existing 500 bar system
- Double-action version for two working directions
- Particularly robust and solid, suitable for demanding applications
- Can also be used for lifting work
- Corrosion protection due to enamelled surfaces
- Hard chrome-plated pistons for protection against scoring and corrosion
- Overpressure valve protects users in case of operating errors



700 BAR

Type	Order No.	Lifting force (kN)	Pulling force (kN)	Stroke (mm)	Piston area (cm ²)	Effective oil requirements (l)	A (mm)	B (∅ mm)	C (∅ mm)	D1	E (mm)	F	G (mm)	J (mm)	O (mm)	PX	PL (mm)	Mass (kg)
LHC 30-17/150 PN 700	84148400601	308	172	150	44	0,66	300	120	70	33,4	26	4 1/2"-12	42	4	68	3/8-18 NPT	72	22
LHC 30-17/250 PN 700	84148400602	308	172	250	44	1,1	400	120	70	33,4	26	4 1/2"-12	42	4	68	3/8-18 NPT	72	28
LHC 60-35/80 PN 700	84148400701	589	355	80	84,2	0,67	249	165	95	54	31	6 1/4"-12	48	5	66	3/8-18 NPT	72	35
LHC 60-35/150 PN 700	84148400702	589	355	150	84,2	1,26	319	165	95	54	31	6 1/4"-12	48	5	66	3/8-18 NPT	72	42
LHC 60-35/250 PN 700	84148400703	589	355	250	84,2	2,11	419	165	95	54	31	6 1/4"-12	48	5	66	3/8-18 NPT	72	53
LHC 100-65/35 PN 700	84148400801	1037	646	38	148,5	0,56	197	220	130	80	37	-	-	5	60	3/8-18 NPT	72	48
LHC 100-65/75 PN 700	84148400802	1037	646	76	148,5	1,13	255	220	130	80	37	8 3/8"-12	60	5	80	3/8-18 NPT	72	60
LHC 100-65/150 PN 700	84148400803	1037	646	150	148,5	2,23	335	220	130	80	37	8 3/8"-12	60	5	80	3/8-18 NPT	72	76
LHC 100-65/250 PN 700	84148400804	1037	646	250	148,5	3,71	465	220	130	80	37	8 3/8"-12	60	5	80	3/8-18 NPT	72	102
LHC 140-55/200 PN 700	84148400902	1433	566	200	204,8	4,09	375	250	160	80	37	-	-	10	60	3/8-18 NPT	72	116

FASTENING HOLE AS STANDARD



Type	D	H (mm)	Q	R (mm)	T (mm)
LHC 30	1 13/16"-16	22	3/8"-16	17	92
LHC 60	2 3/4"-16	22	1/2"-13	14	130
LHC 100	4"-16	25	5/8"-11	19	178
LHC 140	4 1/4"-12	40	-	-	-