

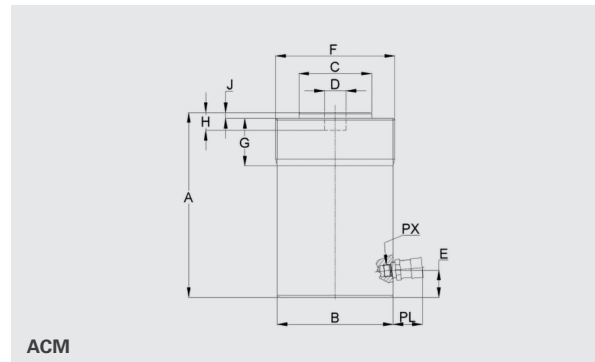
STAINLESS STEEL CYLINDERS

SINGLE-ACTION – WITH SPRING RETRACTION



▶ ADVANTAGES

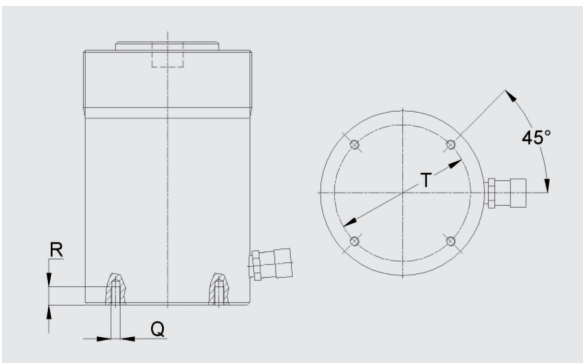
- Fast retraction thanks to strong retraction spring
- Standard and internationally common screw coupling
- Resistant to acids and seawater
- Decontamination-capable
- Corrosion resistant
- For all work in aggressive environments
- Easier to decontaminate than painted cylinders
- Fully loadable stroke limitation
- In environments with special hygiene requirements
- Thread in cylinder base (optional)
- Also approved for 800 bar
- LUKAS plug-in coupling for integration into existing 500 bar system (including burst hose protection)



700 BAR

Type	Order No.	Lifting force (kN)	Stroke (mm)	Piston area (cm ²)	Effective oil requirements (l)	A (mm)	B (Ø mm)	C (Ø mm)	D (Ø mm)	E (mm)	F	G (mm)	H (mm)	J (mm)	PX	PL (mm)	Mass (kg)
ACM 10/150	841406233	88	150	12,6	0,19	234	52	32	16	21,5	M 55x2	30	12	4	G 1/4	72	3
ACM 25/50	841406008	219	50	31,2	0,16	139	80	50	16	21	M 85x2	34	10	4	G 1/4	72	4,7
ACM 25/150	841406033	219	150	31,2	0,49	239	80	50	16	21	M 85x2	34	10	4	G 1/4	72	7,1

OPTIONAL FASTENING HOLE



Type	Ø	R (mm)	T (mm)
ACM 10/...	M 6	10	40
ACM 25/...	M 6	10	60