

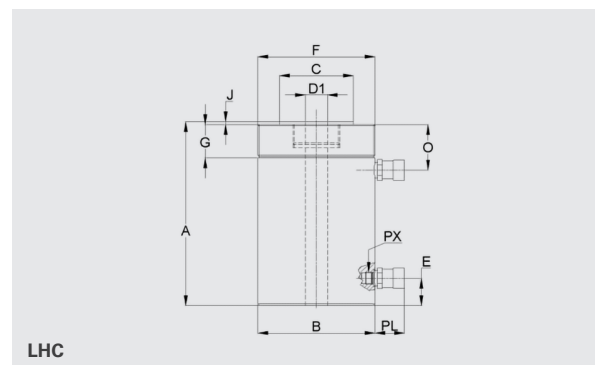
STEEL HOLLOW PISTON CYLINDERS

DOUBLE ACTION - WITH HYDRAULIC PISTON RETRACTION



▶ ADVANTAGES

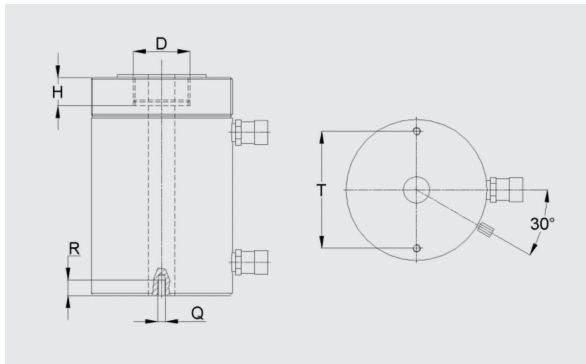
- Standard external thread for easy assembly
- Standard fastening holes in the cylinder base
- As standard with internationally common screw coupling
- Exceptional lateral load compatibility
- Fully loadable stroke limitation
- Wiper rings reduce contamination and wear
- Optionally with LUKAS plug-in coupling for integration into an existing 500 bar system
- Double-action version for two working directions
- Particularly robust and solid, suitable for demanding applications
- Can also be used for lifting work
- Corrosion protection due to enamelled surfaces
- Hard chrome-plated pistons for protection against scoring and corrosion
- Overpressure valve protects users in case of operating errors



700 BAR

Type	Order No.	Lifting force (kN)	Pulling force (kN)	Stroke (mm)	Piston area (cm ²)	Effective oil re-quirements (l)	A (mm)	B (∅ mm)	C (∅ mm)	D1	E (mm)	F	G (mm)	J (mm)	O (mm)	PX	PL (mm)	Mass (kg)
LHC 30-17/150 PN 700	84148400601_A	326	213	178	46,6	0,8	330	114	63,5	33,3	25	4 1/2"-12	42	4	60	3/8"-18 NPT	72	21
LHC 30-17/250 PN 700	84148400602_A	326	213	258	46,6	1,2	431	114	63,5	33,3	25	4 1/2"-12	42	4	60	3/8"-18 NPT	72	27
LHC 60-35/80 PN 700	84148400701_A	576	380	89	82,3	0,7	247	159	91,9	53,8	31	6 1/4"-12	48	5	66	3/8"-18 NPT	72	28
LHC 60-35/150 PN 700	84148400702_A	576	380	166	82,3	1,4	323	159	91,9	53,8	31	6 1/4"-12	48	5	66	3/8"-18 NPT	72	35
LHC 60-35/250 PN 700	84148400703_A	576	380	257	82,3	2,1	438	159	91,9	53,8	31	6 1/4"-12	48	5	66	3/8"-18 NPT	72	45
LHC 100-65/35 PN 700	84148400801_A	931	612	38	133,0	0,5	165	212	127,0	79,2	38	-	-	5	44	3/8"-18 NPT	72	33
LHC 100-65/75 PN 700	84148400802_A	931	612	76	133,0	1,0	254	212	127,0	79,2	38	8 3/8"-12	60	5	85	3/8"-18 NPT	72	61
LHC 100-65/150 PN 700	84148400803_A	931	612	153	133,0	2,0	342	212	127,0	79,2	38	8 3/8"-12	60	5	85	3/8"-18 NPT	72	79
LHC 140-55/200 PN 700	84148400902_A	1429	718	203	204,1	4,1	349	247	152,4	79,2	38	-	-	10	60	3/8"-18 NPT	72	111

FASTENING HOLE AS STANDARD



Type	D	H (mm)	Q	R (mm)	T (mm)
LHC 30	1 13/16"-16	22	3/8"-16	17	92
LHC 60	2 3/4"-16	22	1/2"-13	14	130
LHC 100	4"-16	25	5/8"-11	19	178
LHC 140	4 1/4"-12	40	-	-	-