

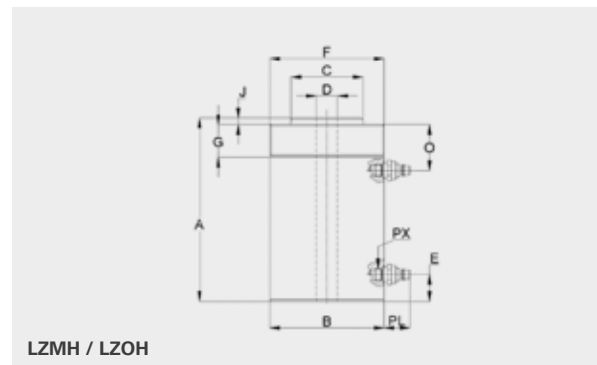
# HOLLOW PISTON CYLINDERS

DOUBLE-ACTION - WITH HYDRAULIC RETRACTION



## ▶ ADVANTAGES

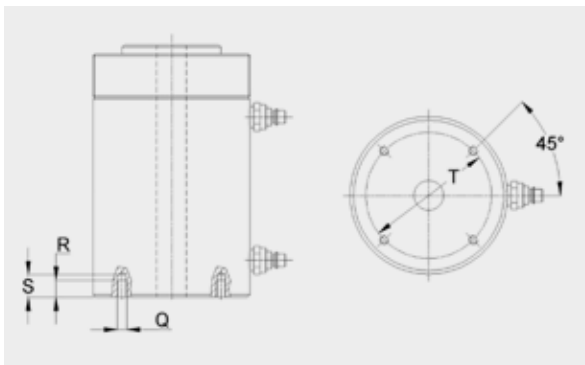
- Overpressure protection through the safety nipple StNi 6-D
- Quick-connect couplings and quick-stop system
- High lateral load compatibility
- Wiper rings reduce contamination and wear
- Fully loadable stroke limitation
- Hydraulic retraction improves working speed and control
- Faster retraction of the pistons
- Considerably reduced weight
- Fastening holes in the cylinder base (optional)
- Piston rods with through-holes
- Handles for LZMH 40/200-37 and LZMH 63/200-59 as standard



## 500 BAR

Type	Order No.	Lifting force (kN)	Stroke (mm)	Piston area (cm <sup>2</sup> )	Effective oil requirements (l)	A (mm)	B (∅ mm)	C (∅ mm)	D (∅ mm)	E (mm)	F	G (mm)	J (mm)	O (mm)	PX	PL (mm)	Mass (kg)
LZMH 40/200-37	841423414	377	200	75,4	0,6	375	150	80	37	23	M 150x3	50	14	70	M 18x1,5	44	16,5
LZMH 63/200-59	841423814	632	200	126,5	1,1	415	205	115	59	30	M 205x4	60	15	85	M 18x1,5	44	34
LZOH 100/200-74	841424114	1178	200	235,6	2,5	435	270	160	74	30	-	-	17	90	M 18x1,5	44	63

## OPTIONAL FASTENING HOLE



Type	Q	R (mm)	S (mm)	T (mm)
LZMH 40/200-37	M 8	13	18	125
LZMH 63/200-59	M 10	19	24,5	175
LZOH 100/200-74	M 12	24	30	240