

# HAND PUMPS TYPE LH

FOR SINGLE AND DOUBLE-ACTION CYLINDERS



## ▶ ADVANTAGES

- Sensitive operation possible
- Labour-saving and ergonomic
- Compact design for mobile handling
- Maintenance-free and durable
- Retrofit kits for hand pumps for the operation of single and double-action cylinders
- Automatic switching between high and low pressure
- Usable upside down
- Sensitive lowering of single-action cylinders thanks to exhaust valve
- Lockable pump lever forms carrying handle

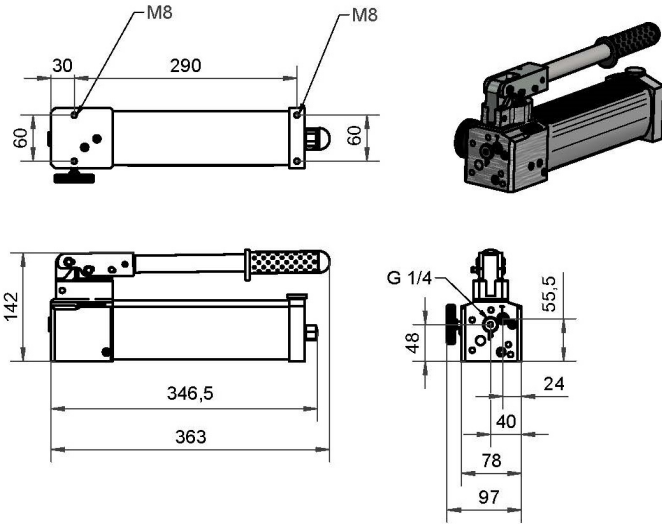
## 500 BAR

Type	Order No.	Filling quantity (l)	Usable quantity (l)	Delivery quantity per stroke (low pressure) (cm <sup>3</sup> )	Automatic switchover at (bar)	Delivery quantity per stroke (high pressure) (cm <sup>3</sup> )	Mass (kg)
LH 1/0,5-50	841291120_C	0,7	0,47	6	20	0,8	4
LH 2/0,9-50	841292130_C	1,3	0,9	17	20	1,7	5,2
LH 2/1,8-50	841292140_C	2,3	1,8	17	20	1,7	6,5
LH 2/3,8-50	841292150_C	4,5	3,8	17	20	1,7	10,8

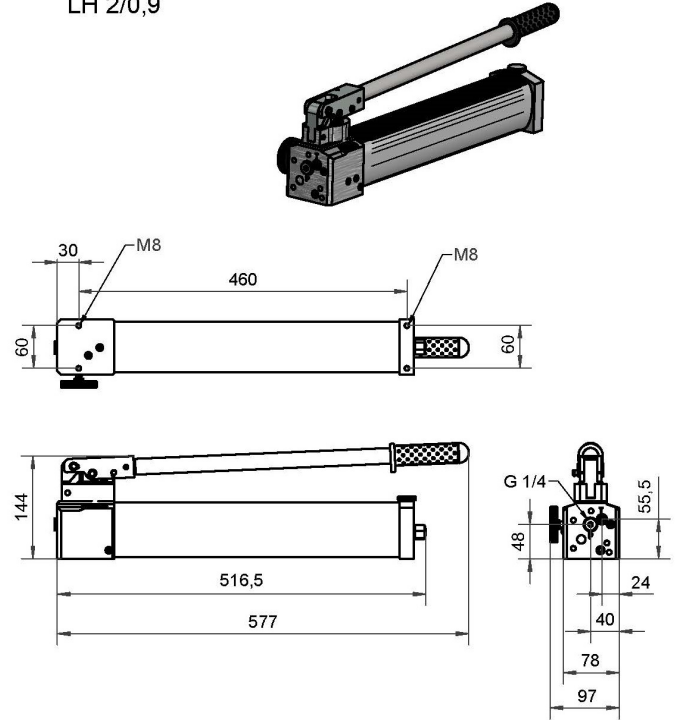
## 700 BAR

Type	Order No.	Filling quantity (l)	Usable quantity (l)	Delivery quantity per stroke (low pressure) (cm <sup>3</sup> )	Automatic switchover at (bar)	Delivery quantity per stroke (high pressure) (cm <sup>3</sup> )	Mass (kg)
LH 1/0,5-70	841291220_C	0,7	0,47	6	20	0,8	4
LH 2/0,9-70	841292230_C	1,3	0,9	17	20	1,7	5,2
LH 2/1,8-70	841292240_C	2,3	1,8	17	20	1,7	6,5
LH 2/3,8-70	841292250_C	4,5	3,8	17	20	1,7	10,8

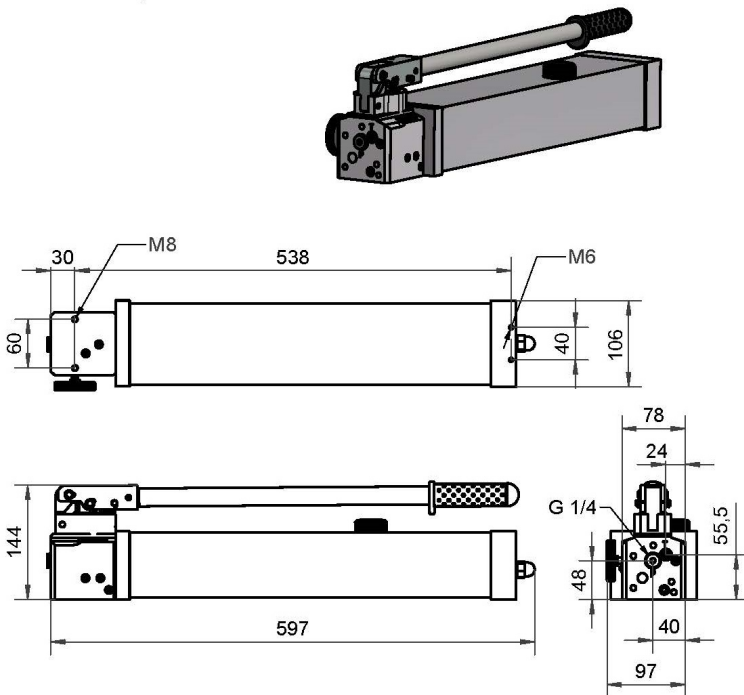
LH 1/0,5



LH 2/0,9



LH 2/1,8



LH 2/3,8

