

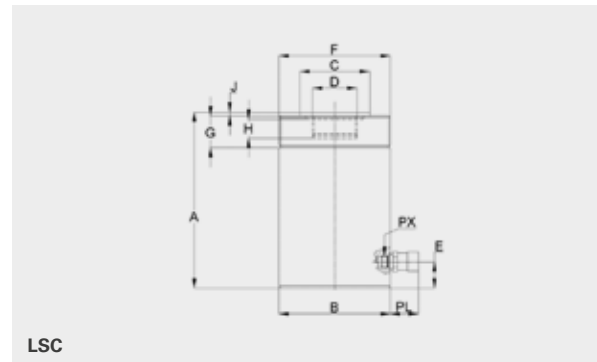
STEEL CYLINDERS

SINGLE-ACTION – WITH SPRING RETRACTION



▶ ADVANTAGES

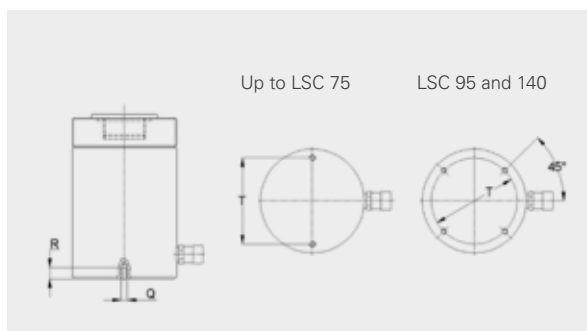
- Standard external thread for easy assembly
- Standard fastening holes in the cylinder base
- As standard with internationally common screw coupling
- Internal thread in the piston rod for auxiliary tools
- Fully loadable stroke limitation
- Wiper rings reduce contamination and wear
- Delivered complete with piston protection plates and screw coupling sleeves
- Optionally with LUKAS plug-in coupling for integration into an existing 500 bar system
- With spring retraction
- Corrosion protection due to enamelled surfaces
- Hard chrome-plated pistons for protection against scoring and corrosion



700 BAR

Type	Order No.	Lifting force (kN)	Stroke (mm)	Piston area (cm ²)	Effective oil requirements (l)	A (mm)	B (Ø mm)	C (Ø mm)	D	E (mm)	F	G (mm)	H (mm)	J (mm)	PX	PL (mm)	Mass (kg)
LSC 5/25	84148090101	49	25	7,06	0,02	110	40	25	3/4"-16	19	1 1/2"-16	28	14	6	3/8-18 NPT	72	1
LSC 5/180	84148090104	49	180	7,06	0,13	276	40	25	3/4"-16	19	1 1/2"-16	28	14	6	3/8-18 NPT	72	2,4
LSC 10/55	84148090202	111	54	15,9	0,09	121	60	36	1"-8	19	2 1/4"-14	32	19	6	3/8-18 NPT	72	2,4
LSC 10/105	84148090203	111	105	15,9	0,17	172	60	36	1"-8	19	2 1/4"-14	32	19	6	3/8-18 NPT	72	3,3
LSC 10/255	84148090206	111	257	15,9	0,41	352	60	36	1"-8	19	2 1/4"-14	32	19	6	3/8-18 NPT	72	6,6
LSC 10/305	84148090207	111	307	15,9	0,49	402	60	36	1"-8	19	2 1/4"-14	32	19	6	3/8-18 NPT	72	7,4
LSC 10/355	84148090208	111	355	15,9	0,57	454	60	36	1"-8	19	2 1/4"-14	32	19	6	3/8-18 NPT	72	8,4
LSC 15/25	84148090301	166	25	23,7	0,06	126	75	45	-	20	2 3/4"-16	32	-	5	3/8-18 NPT	72	4,2
LSC 15/55	84148090302	166	54	23,7	0,13	157	75	45	1"-8	20	2 3/4"-16	32	25	8	3/8-18 NPT	72	5
LSC 15/205	84148090305	166	205	23,7	0,49	329	75	45	1"-8	20	2 3/4"-16	32	25	8	3/8-18 NPT	72	10
LSC 15/255	84148090306	166	257	23,7	0,61	381	75	45	1"-8	20	2 3/4"-16	32	25	8	3/8-18 NPT	72	11,5
LSC 15/300	84148090307	166	307	23,7	0,73	428	75	45	1"-8	20	2 3/4"-16	32	25	8	3/8-18 NPT	72	12,8
LSC 15/355	84184090308	166	355	23,7	0,84	479	75	45	1"-8	20	2 3/4"-16	32	25	8	3/8-18 NPT	72	14,2
LSC 25/25	84148090401	231	25	33,1	0,08	144	85	56	1 1/2"-16	25	3 5/16"-12	45	25	10	3/8-18 NPT	72	6
LSC 25/260	84148090406	231	261	33,1	0,87	383	85	56	1 1/2"-16	25	3 5/16"-12	45	25	10	3/8-18 NPT	72	15
LSC 25/310	84148090407	231	310	33,1	1,03	434	85	56	1 1/2"-16	25	3 5/16"-12	45	25	10	3/8-18 NPT	72	16,9
LSC 25/360	84148090408	231	362	33,1	1,2	484	85	56	1 1/2"-16	25	3 5/16"-12	45	25	10	3/8-18 NPT	72	18,8
LSC 30/150	84148090502	309	150	44,1	0,66	274	100	60	1 1/2"-16	30	3 7/8"-12	48	25	10	3/8-18 NPT	72	14,6
LSC 50/60	84148090601	496	60	70,8	0,43	175	127	80	-	35	5"-12	55	-	5	3/8-18 NPT	72	16,4
LSC 50/160	84148090603	496	160	70,8	1,13	284	127	80	-	35	5"-12	55	-	5	3/8-18 NPT	72	25,5
LSC 75/160	84148090701	727	160	103,8	1,66	284	150	90	-	35	5 3/4"-12	55	-	5	3/8-18 NPT	72	32
LSC 75/330	84148090702	727	330	103,8	3,43	494	150	90	-	35	5 3/4"-12	55	-	5	3/8-18 NPT	72	54
LSC 95/60	84148090801	929	60	132,7	0,8	179	177	110	-	40	6 7/8"-12	55	-	5	3/8-18 NPT	72	32
LSC 95/150	8414809082	929	150	132,7	1,99	299	177	110	-	40	6 7/8"-12	55	-	5	3/8-18 NPT	72	53
LSC 95/260	84148090803	929	260	132,7	3,45	454	177	110	-	40	6 7/8"-12	55	-	5	3/8-18 NPT	72	78,5
LSC 140/60	84148090901	1407	60	201	1,21	189	216	140	-	40	8 1/2"-12	55	-	5	3/8-18 NPT	72	52
LSC 140/150	84148090902	1407	150	201	3,02	319	216	140	-	40	8 1/2"-12	55	-	5	3/8-18 NPT	72	85,7
LSC 140/260	84148090903	1407	260	201	5,23	469	216	140	-	40	8 1/2"-12	55	-	5	3/8-18 NPT	72	124,5
LSC 220/150	84148091001	2199	150	314	4,71	339	250	160	-	40	-	-	-	5	3/8-18 NPT	72	116,5

FASTENING HOLE AS STANDARD



Type	d	R (mm)	T (mm)
LSC 5/...	1/4"-20	14	25
LSC 10/...	5/16"-18	12	39
LSC 15/...	3/8"-16	12	47
LSC 25/...	1/2"-13	19	58
LSC 30/...	1/2"-13	19	66
LSC 50/...	1/2"-13	19	95
LSC 75/...	3/4"-10	19	115
LSC 95/...	3/4"-10	25	139
LSC 140/...	3/4"-10	25	165