

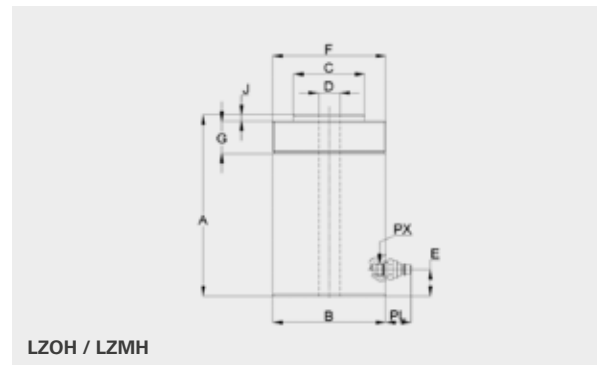
HOLLOW PISTON CYLINDERS

SINGLE-ACTION – WITH SPRING RETRACTION



▶ ADVANTAGES

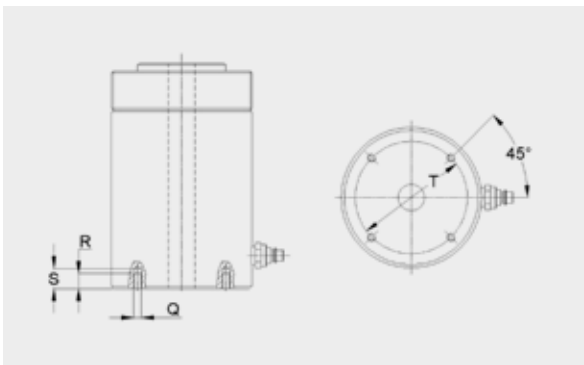
- Quick-connect couplings and quick-stop system
- High lateral load compatibility
- Fully loadable stroke limitation
- Wiper rings reduce contamination and wear
- Considerably reduced weight
- Piston rods with through-holes
- Fastening holes in the cylinder base (optional)
- Fast retraction thanks to strong retraction spring



500 BAR

Type	Order No.	Lifting force (kN)	Stroke (mm)	Piston area (cm ²)	Effective oil requirements (l)	A (mm)	B (Ø mm)	C (Ø mm)	D (Ø mm)	E (mm)	F	G (mm)	J (mm)	PX	PL (mm)	Mass (kg)
LZOH 10/50-20,5	841422108	120	50	24,1	0,1	147	85	45	20,5	22	-	-	2	M 18x1,5	44	3,2
LZMH 25/50-33	841423008	238	50	47,7	0,25	225	125	63	33	23	M 100x2	50	10	M 18x1,5	44	7,9
LZMH 25/100-33	841426011	238	100	47,7	0,5	285	125	63	33	23	M 100x2	50	10	M 18x1,5	44	10
LZMH 40/100-37	841426411	377	100	75,4	0,8	275	150	80	37	23	M 150x3	50	14	M 18x1,5	44	13,2

OPTIONAL FASTENING HOLE



Type	Q	R (mm)	S (mm)	T (mm)
LZOH 10/50-20,5	M 8	13	18	66
LZMH 25/50-33	M 8	13	18	100
LZMH 25/100-33	M 8	13	18	100
LZMH 40/100-37	M 8	13	18	125